

CARYSIL.com

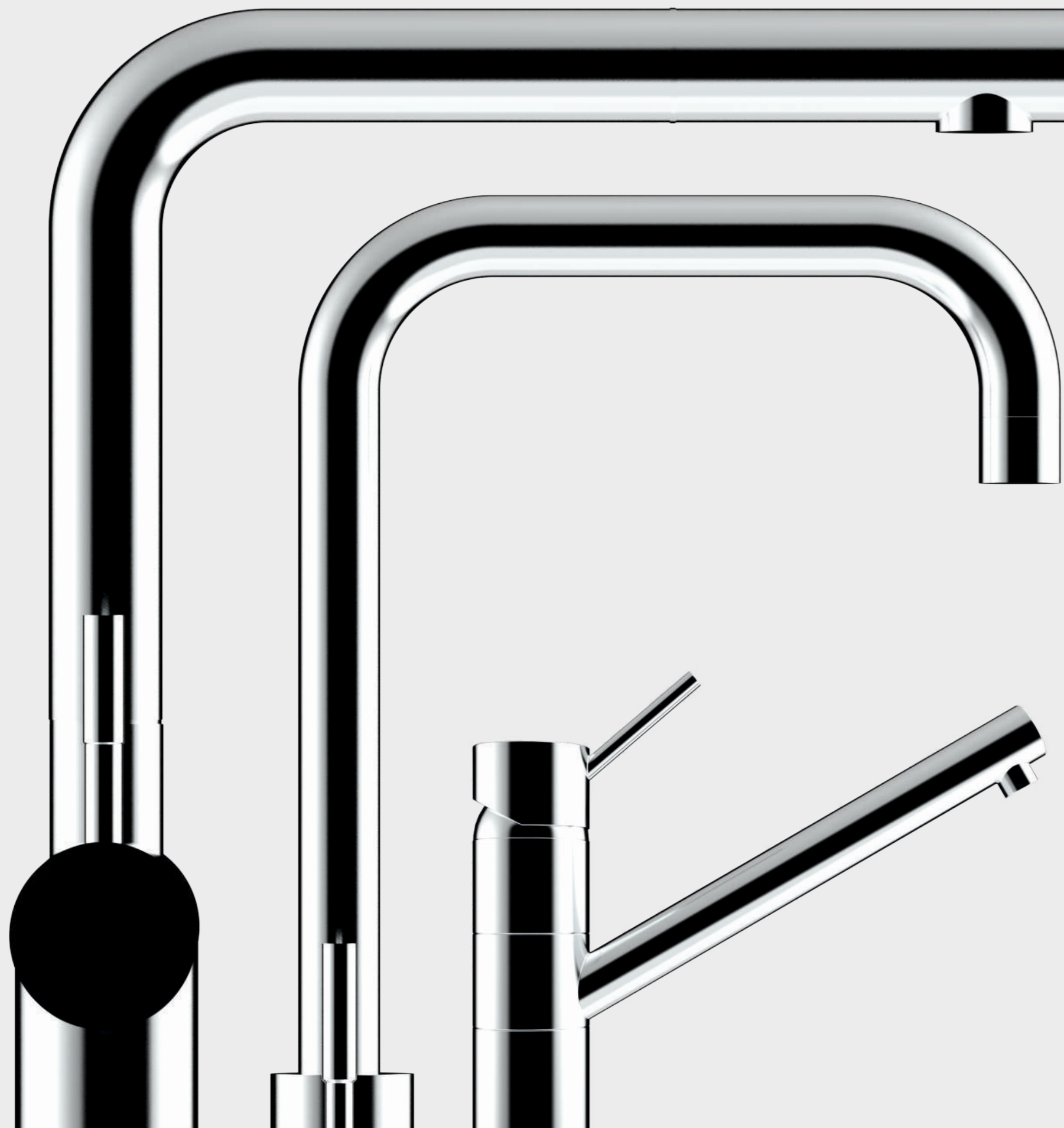
KITCHEN FAUCETS



CARYSIL
KITCHEN FAUCETS

CARYSIL

KITCHEN FAUCETS



TYPE OF SPOUTS

Our range of spout options let you combine comfort and convenience with great design flexibility. Our spouts come in a variety of heights, from a compact low spout for small spaces to a high spout perfect for filling pots, as well as in a choice of U, C or L-shape to perfectly suit your style. Need even more flexibility? Our spouts that swivel or feature pull-down spray heads offer extra reach, power and performance for busy kitchens.





BEAUTY OF BLACK MATT

Bringing professional functionality and style to your kitchen, these faucets are the ultimate companions for your sink.





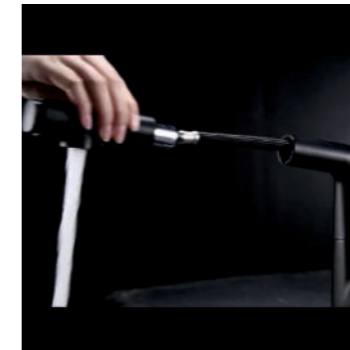
ALA 1514 MATT BLACK

Specification :-

Material: solid brass construction
Handle: Zinc
Matching pull-out spout
sprayer, 180° swing spout, ABS
material, two function
Cartridge: ceramic cartridge, Kerox
Neoperl aerator
Water flow: 9-12L/min@3bar
Braided Hose: stainless steel hose
*2, Tucai brand
Cloth bag + color box package



180° SWINGSPOUT



PULLOUT



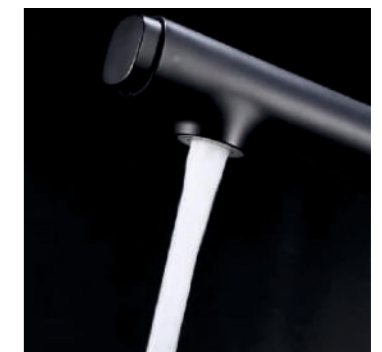
ADJUSTABLE HEIGHT



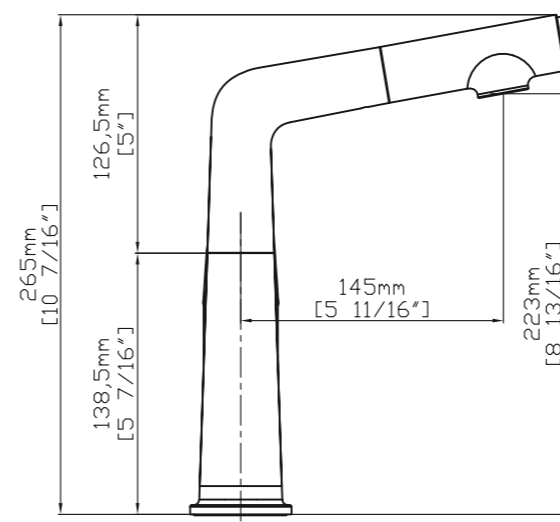
DESIGNER KNOB



TWO FLOW FUNCTIONS



ALA 1514





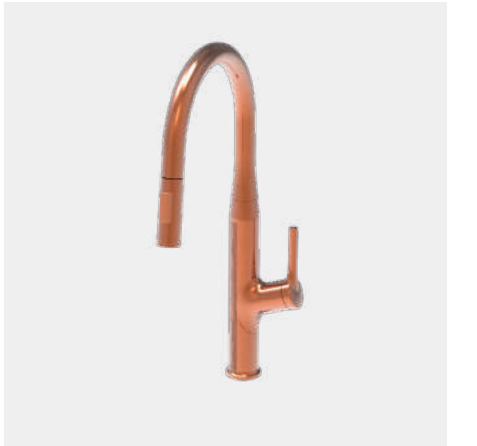
ALA 1512



ALA 1512 CHROME



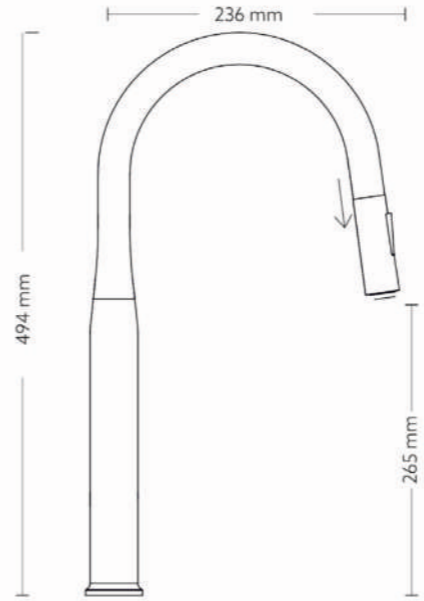
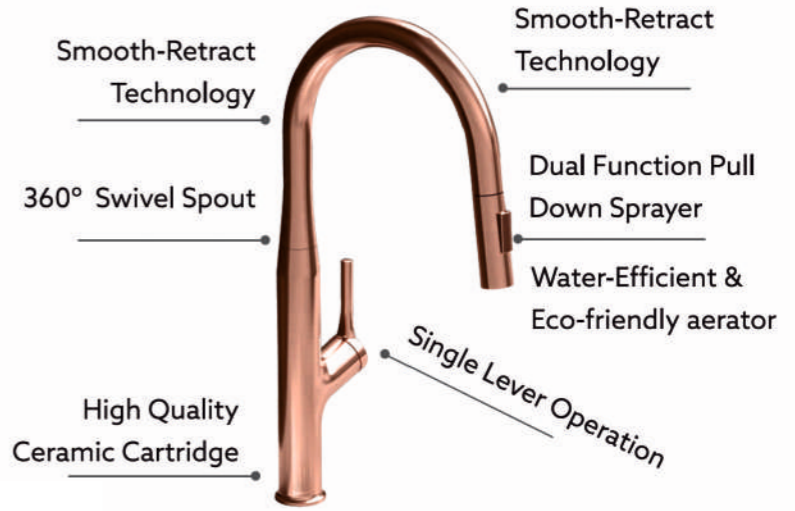
ALA 1512 MATT BLACK



ALA 1512 ROSE GOLD

Specification :-

- Brass Materials
- Zinc Alloy handle
- Pull out spout Sprayer
- Hot, Cold & Mixers functions
- Ceramic cartridge
- High quality aerator
- S.S. hose Pipe
- Finish Options: Rose gold, Matt black & Chrome





ALA 1511



ALA 1511 WHITE



ALA 1511 YELLOW



ALA 1511 RED



ALA 1511 GREY

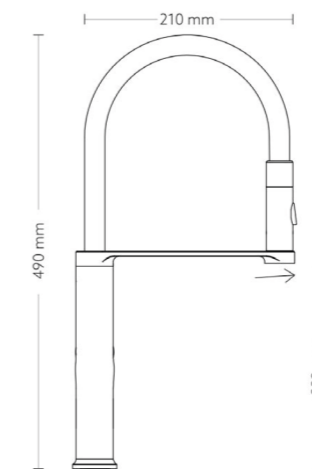
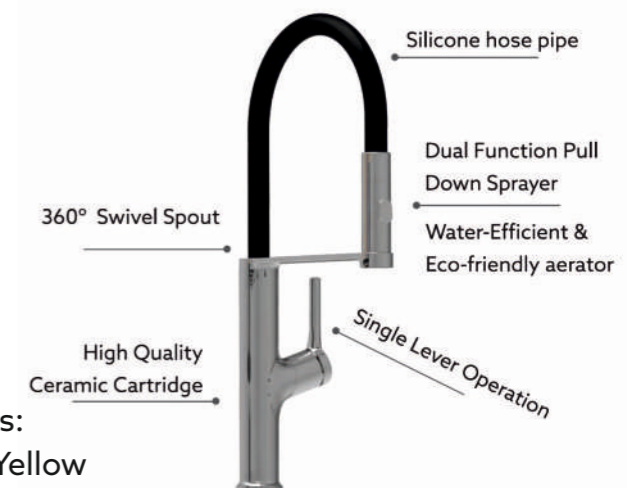


ALA 1511 BLACK



Specification :-

- Material: Brass
- Zinc Alloy handle
- Pull down spout sprayer
- Hot, Cold & Mixers functions
- Ceramic cartridge
- High quality aerator
- S.S. hose Pipe
- Silicone hose pipe color options:
Black, Blue, Red, White, Grey, Yellow



FAUCET INOX COLLECTION

Bringing professional functionality and style to your kitchen, these faucets are the ultimate companions for your sink.



Assistive Touch
Control Technology



SENSO TOUCH

Kitchens are hands-on places, where multi-tasking is a must. Why not make life easier for yourself with a CARYSIL touch-activated faucet? We've developed a choice of two innovative solutions that let you control the flow of water without using your hands, making your kitchen more hygienic, convenient and instinctive to use. CARYSIL faucets can be activated with a simple touch of the wrist or elbow. Leave your hands free and keep your faucet sparkling clean. Change the way you control your kitchen with just a single touch.

The kitchen is the heart of your life at home – and let's face it, sometimes life gets messy. With CARYSIL's innovative SENSO TOUCH faucets sticky fingers won't slow you down and cross-contamination is a thing of the past. Hidden CARYSIL technology lets you start and stop the flow of water with a single tap of your arm, wrist or the back of your hand, anywhere on the spout. No more greasy fingerprints or struggling to turn a lever with your elbow.



SENSO TOUCH

Just touch the faucet at any point with your wrist, elbow or just your fingertip to turn the faucet ON and OFF.



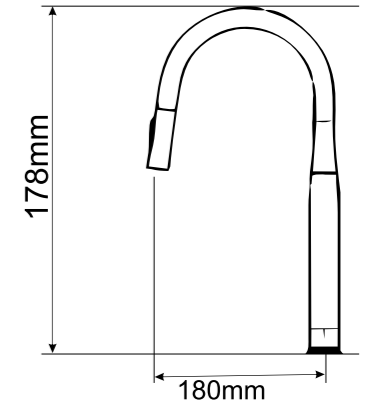
Faucets

Inox 100-with touch sensor



Specification :-

Material : Stainless steel 304
 Stainless steel handle,
 Aerator: Neoperl
 Cartridge: ceramic cartridge, Kerox brand
 Hose Pipe: Nylon hose *2, Tucai brand
 Satin Finish
 Matching two function spray head,
 Stainless steel material, with magnet
 Pull out sprayer head

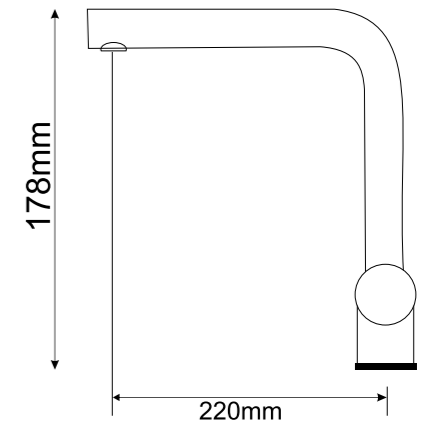


ASL 2202



Specification :-

Material : Stainless steel 304
 Stainless steel handle,
 Aerator: Neoperl
 Cartridge: ceramic cartridge, Kerox brand
 Hose Pipe: Nylon hose *2, Tucai brand
 Satin Finish
 Matching two function spray head,
 Stainless steel material, with magnet
 Pull out sprayer head



INOX 100



Polyester braid hose
 High Pressure resistance
 and high Corrosion



Brass installation part
 Easy install and highly secured
 even with uneven surface
 and tight space



Flawless finish
 24h acid salt spray test pass



Swivel spout
 Swivel range (110°/120°/150°)
 or all-round freedom of
 movement (360°).



PEX Pull out hose
 For temperature resistant and
 neutral in taste and odor



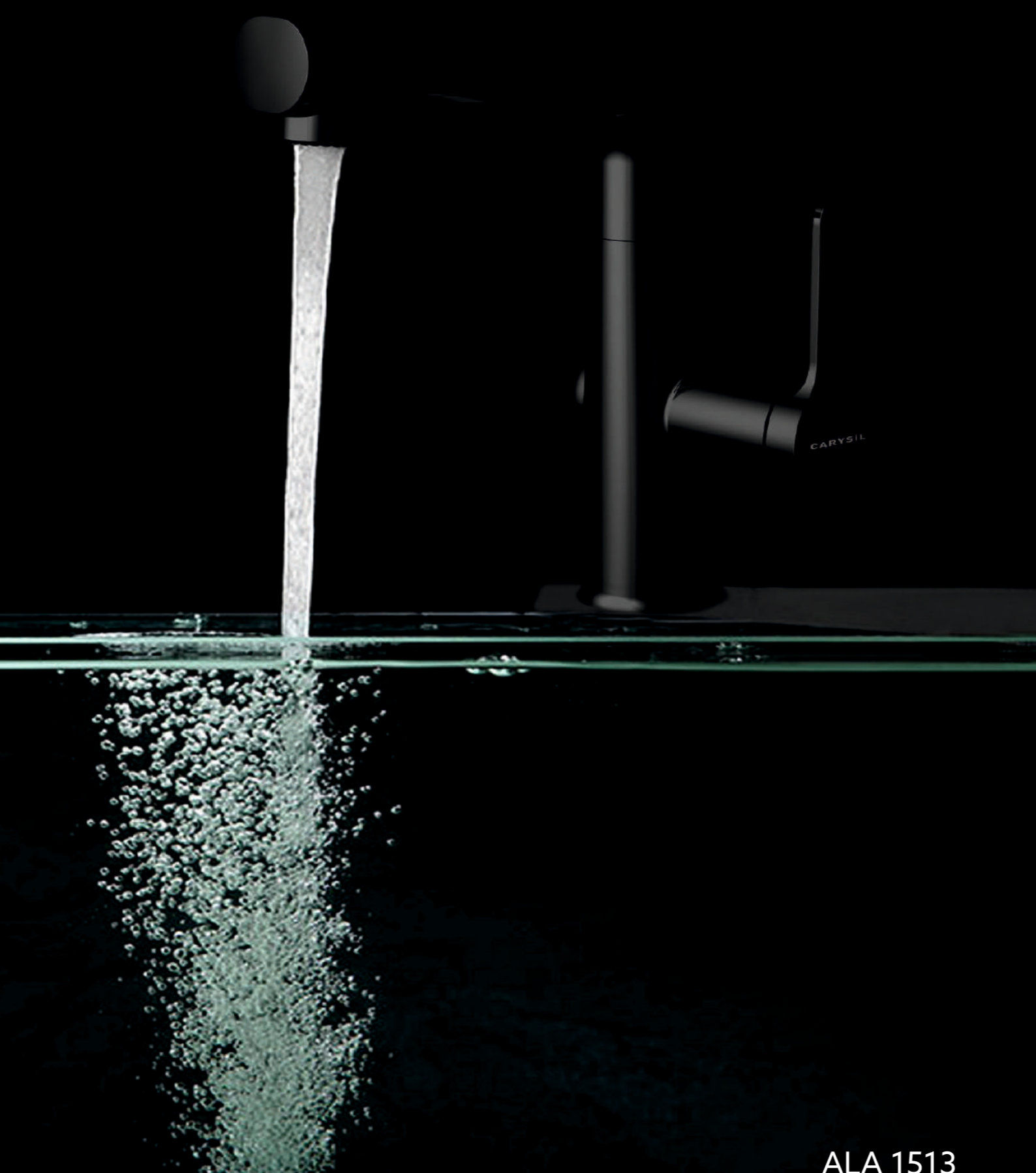
Ultra smooth
 With protective ABS tunnel for
 pull out hose.



Quick Connect
 Allow for fast and easy
 installation.



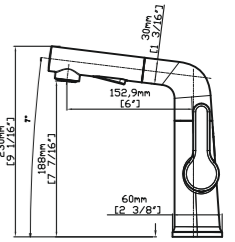
Easy Clean Aerator
 Wipe away calcium and lime
 build up with the touch of a
 finger



ALA 1513

Faucets

Ala 1513

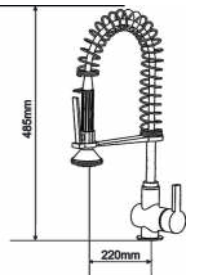


Maximus (pull out)



Specification :-

- Brass Materials
- Zinc Alloy handle
- Pull out spout sprayer
- Hot, Cold & Mixers functions
- Ceramic cartridge
- High quality aerator
- S.S. hose Pipe



Ala 01506



Specification :-

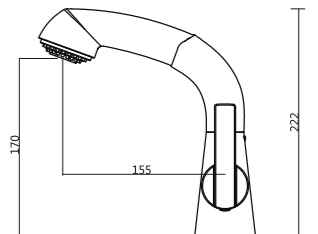
- Brass materials
- Zinc Alloy Handel
- High-arch Spout Design with 360-degree Rotation:
- Hot, cold & Mixer Functions
- Ceramic cartridge
- Aerator - Neoperl-Switzerland brand company
- Cartridge :- Sedal-Spain brand company.
- Finish options :- Nera, Cornflakes

Ala 01507



Specification :-

- Brass materials
- High-arch Spout Design with 360-degree Rotation:
- Hot, cold & Mixer Functions
- Ceramic cartridge
- Pull out spout sprayer
- Aerator - Neoperl-Switzerland brand company
- Cartridge :- Sedal-Spain brand company.



Ala 01508



Specification :

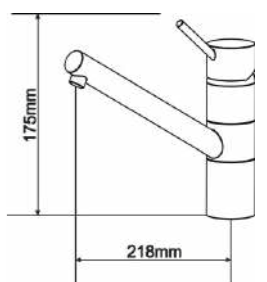
- Brass materials
- Zinc Alloy Handel
- High-arch Spout Design with 360-degree
- Hot, cold & Mixer Functions
- Ceramic cartridge
- Pull out spout sprayer
- Aerator - Neoperl-Switzerland brand company
- Cartridge :- Sedal-Spain brand company

Ala 01509



Specification :-

- Brass materials
- Finish options :- Nera, Cornflakes, Chrome
- High-arch Spout Design with 360-degree Rotation
- Hot, cold & Mixer Functions
- Ceramic cartridge
- Aerator - Neoperl-Switzerland brand company
- Cartridge :- Sedal-Spain brand company.





FAUCET PREMIUM COLLECTION

Bringing professional functionality and style to your kitchen, these faucets are the ultimate companions for your sink.

ASL 2201



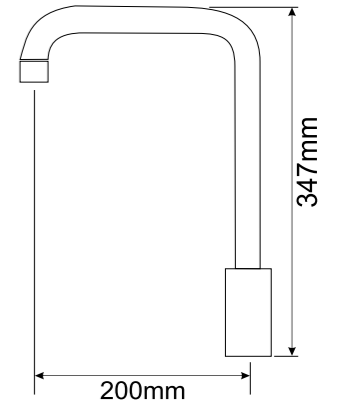
Faucets

ASL 2201



Specification :-

Material : Stainless steel 304
Stainless steel handle,
Aerator: Neoperl
Cartridge: ceramic cartridge, Kerox brand
Hose Pipe: Nylon hose *2, Tucai brand
100% pressure system tested
color box
Satin Finish

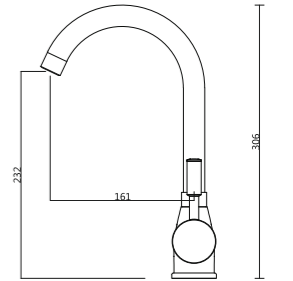


Ala 01504



Specification :-

Brass materials
Finish options :- Nera, Cornflakes
High-arch Spout Design with
360-degree Rotation
Hot, cold & Mixer Functions
Ceramic cartridge
Aerator - Neoperl-Switzerland brand company
Cartridge :- Sedal-Spain brand company.

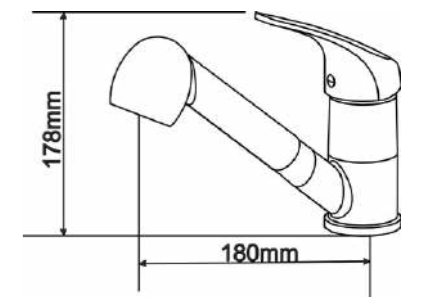


Atomix



Specification :-

Brass Materials
Zinc Alloy handle
Pull out spout Sprayer
Hot, Cold & Mixers functions
Ceramic cartridge
High quality aerator
S.S. hose Pipe



Water Dispenser



Specification :-

Brass Materials
Zinc Alloy handle
Hot, Cold & Mixers functions





CARYSIL
COLD



CARYSIL
HOT



GLASS RINSER COLLECTION

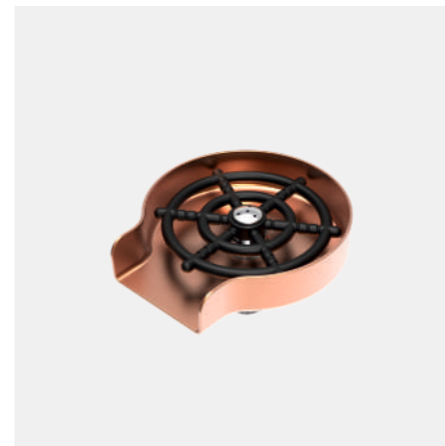
Bringing professional functionality and style to your kitchen, these faucets are the ultimate companions for your sink.





GLASS RINSER

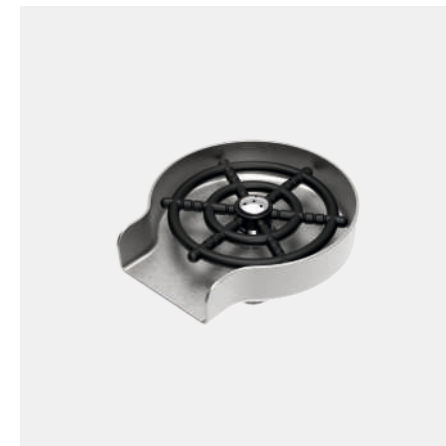
Glass Rinsers



ROSE GOLD



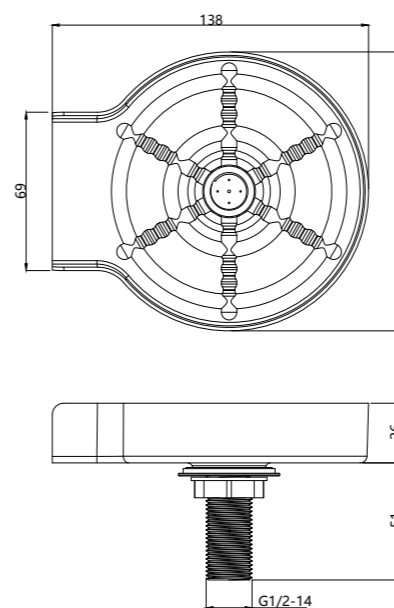
MATT BLACK



BRUSH STEEL

Specification :-

Finish : Rose Gold, Matt Black, Brush Steel
 Application range: Any Carysil Faucet Deck Sinks, hotel kitchen, coffee shop bar counter, milk, tea shop, KFC, McDonald's, commercial kitchen equipment supporting
 Size: $\Phi 110\text{mm} \times 75\text{mm}$





FOOD WASTE DISPOSER COLLECTION

Bringing professional functionality and style to your kitchen, these faucets are the ultimate companions for your sink.





FOOD WASTE DISPOSER



- PREVENTS UNPLEASANT
ODOR IN THE HOUSE.
- ENVIRONMENT FRIENDLY
LOWER THE USE OF PLASTIC BAGS.
- KEEPS COCKROACHES
AND PESTS AWAY

What Can I Put in Food Waste Disposer ?



FRUITS



VEGGIES



LEFTOVERS



PEELS



SMALL
BONES



UNEATEN
FAST FOOD

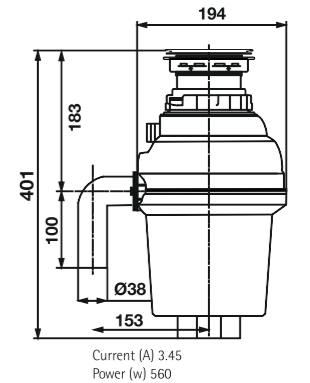
Food Waste Disposer

Hopper Capacity : 1070 ml



HEAVY DUTY 3/4 HP FOOD WASTE DISPOSER!

- Permanent Magnet DC Motor and Low Noise
- High-speed dynamic balanced armature
- 2500 R.P.M. Motor
- Multi-functional stopper
- Corrosion proof grinding components
- Stainless Steel wear-resistant
- High strength plastic structure

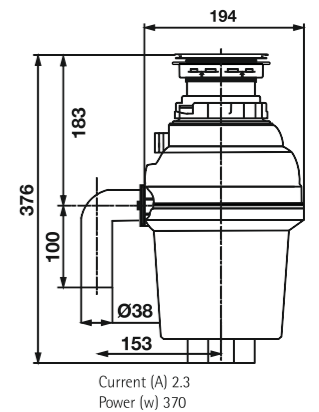


Hopper Capacity : 1070 ml



HEAVY DUTY 1/2 HP FOOD WASTE DISPOSER!

- Permanent Magnet DC Motor and Low Noise
- High-speed dynamic balanced armature
- 2500 R.P.M. Motor
- Multi-functional stopper
- Corrosion proof grinding components
- Stainless Steel wear-resistant
- High strength plastic structure

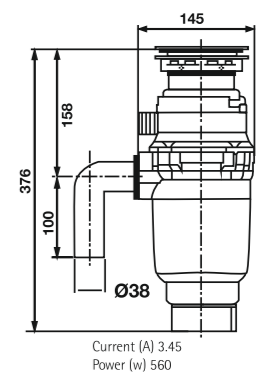


Hopper Capacity : 860 ml



STANDARD 3/4 HP FOOD WASTE DISPOSER!

- Permanent Magnet DC Motor and Low Noise
- High-speed dynamic balanced armature
- 2500 R.P.M. Motor
- Multi-functional stopper
- Corrosion proof grinding components
- Stainless Steel wear-resistant
- High strength plastic structure

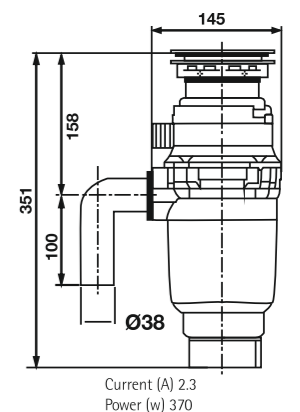


Hopper Capacity : 860 ml



STANDARD 1/2 HP FOOD WASTE DISPOSER!

- Permanent Magnet DC Motor and Low Noise
- High-speed dynamic balanced armature
- 2500 R.P.M. Motor
- Multi-functional stopper
- Corrosion proof grinding components
- Stainless Steel wear-resistant
- High strength plastic structure



Notes:

CARYSIL.com

KITCHEN FAUCETS

DISPLAY GALLERIES

Mumbai

Gala No.31/M, Laxmi Industrial Estate,
The Shree Laxmi jyot industrial premises
Co-Op. Society Ltd., New Link Road,
Andheri(West), Mumbai - 400053
T: 022 - 4970 4710

Ahmedabad

Stellar, 108 first floor,
Sindhu bhavan marg,
Bodakdev Ahmedabad,
Gujarat 380054

Bhavnagar

G-2, Atlanta Building,
Atabhai Road,
Bhavnagar 364001
T. 91-278- 2225553

Scan the QR code





May 2022

www.carysil.com

Email: info@carysil.com | Follow us:  

"We at your service" 24x7

1800 3000 8833 | 1800 12312 8833

Download Carysil Service Mobile App:  

Disclaimer

• Product shown here is only for demonstration purpose, actual product may vary from the product as shown in the catalogue. • Specification of the product may change without any prior intimation. • All the test/performance are according to standard condition. • we are not providing post sales service-24x7. • Color shown is the representative color and may vary from the actual product. • All size in mm are approx.

